

Since 1977

**Shred. Feed. Compact**

Ask An Expert, Call (614) 836-2366



# Hard Drive Shredder

**Safe, Secure Digital Media Destruction**

**Plant Based or Mounted in Trucks for Mobility**

**Accepts Oversized Hard Drives**



Komar's Tiger Electro-Shear Hard Drive Shredder is ideally suited for the destruction of all types of digital media including hard drives, cell phones, PDAs, back up tapes, CDs, DVDs, circuit boards, and most any media containing confidential information. Units can be plant based or mounted in trucks for mobility. Komar Industries has been building volume reduction equipment for over 33 years. Our engineering experts will help you determine the right shredder for your e-scrap application.

**Features:**

- Powerful 20 HP Motor
- Allen Bradley PLC
- Anti-Jamming
- Auto Reverse
- Simple to Operate
- Feed by Hand or Conveyor
- Clean & Quiet

**Benefits:**

- Complete Hard Drive Destruction
- On Site Destruction
- Shreds Multiple Products
- Reduce Disposal Costs
- Reduce Transportation Costs
- Reduce Operating & Maintenance Costs



## Truck Mounted for *Mobility*



Powered by 60 Kw generator, fits perfectly in a 8' wide box truck to take the show on the road. Includes quick disconnect plug for operation in plant based locations.



Large Hard Drives



Standard Hard Drives



Cell Phones



PDAs



Back Up Tapes



**Quality Made in the USA**



Institute of Scrap Recycling Industries, Inc.



ENVIRONMENTAL INDUSTRY



**Call Today!**  
**BUY • RENT • LEASE**

**Komar Industries**  
Phone 614.836.2366  
FAX 614.836.9870  
4425 Marketing Place  
Groveport, OH 43125  
web: [www.komarindustries.com](http://www.komarindustries.com)  
E-mail: [info@komarindustries.com](mailto:info@komarindustries.com)

Since 1977

Shred. Feed. Compact

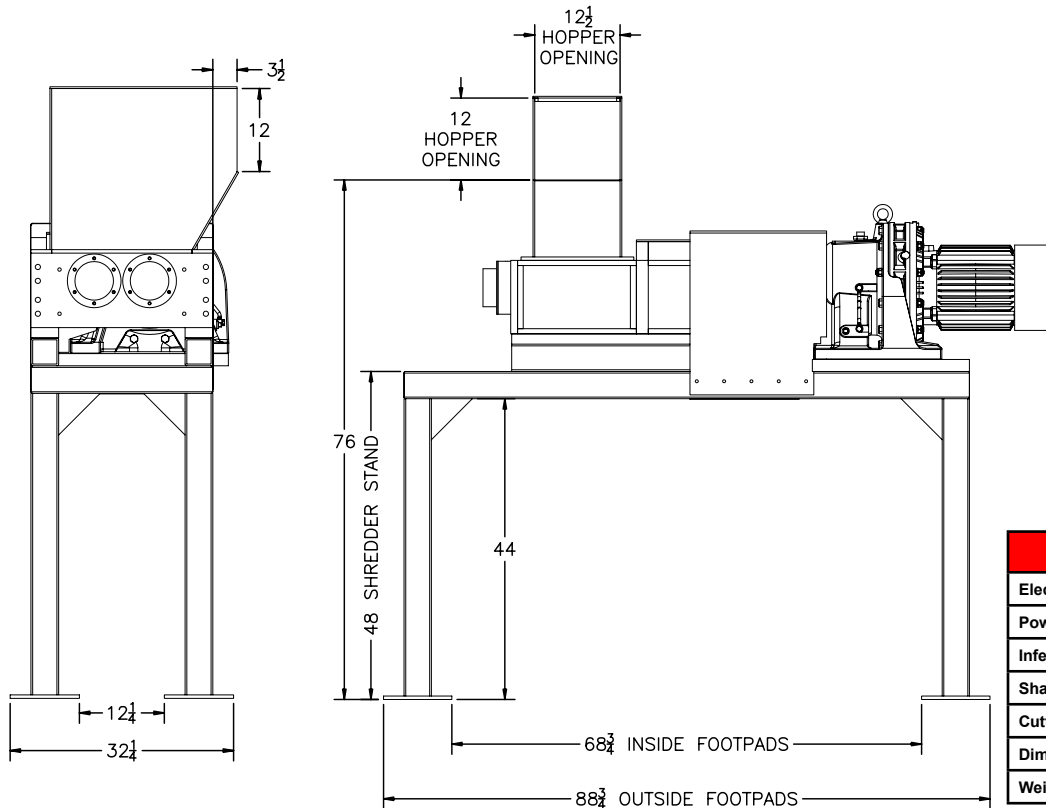
Ask An Expert, Call (614) 836-2366



# Hard Drive Shredder

## Safe, Secure Digital Media Destruction

Plant Based or Mounted in Trucks for Mobility



Model	ES1220
Electric Dive (HP) Motor	20
Power Requirement	230/460 V, 3 PH, 60 Hz
Infeed Charge Opening	12" x 20"
Shaft Diameter	3 1/2"
Cutter Thickness	1" to 1 3/8"
Dimensions of Shredder	96" L x 32" W x 88" H
Weight of Shredder	3600 lbs.

### Utilized By:

- Banks
- Insurance Companies
- Data Destruction Companies
- Automobile Dealerships
- Universities
- Hospitals
- Medical Buildings
- Military Installations
- Personnel Departments
- Office Buildings
- Government Facilities

### Electrical Features:

- UL NEMA 4 Electrical Enclosure
- 110 VAC Control Transformer
- Allen Bradley PLC
- ITC:
  - Key Lock Switch
  - E - Stop Button
  - Auto Light Push Button
  - Reset Button
  - Motor Overload Light
- Hour Meter
- Power Required: 480 VAC, 3 PH. 60 HZ.



### Patented Pro Cutter Locking System

The Komar Patented "Pro Cutter Locking System" addresses a major problem found in most Shear Shredders, that of cutter stacks becoming loose. The conventional nut and bolt system cannot apply enough force to hold the stacks tight resulting in poor performance and damage to the shaft. The P.C.L.S. solves the problem with a compact integrated bearing and locking system, which has been demonstrated to provide 900% more force than the conventional nut & bolt method, thus providing for less need for maintenance and more uptime.

### Proprietary Bearing Protection - Komar utilizes a

Proprietary Bearing Protection System that insulates the bearing and seal from the cutting chamber and away from the bearings which is the key to longer uptime and lower operating cost. The system includes heavy splash plates, end cutter configurations deflection, shield with grease purge air space and specialized seal guards.



Quality Made in the USA



ENVIRONMENTAL INDUSTRY



# Call Today!

BUY • RENT • LEASE

**Komar Industries**  
 Phone 614.836.2366  
 FAX 614.836.9870  
 4425 Marketing Place  
 Groveport, OH 43125  
 web: [www.komarindustries.com](http://www.komarindustries.com)  
 E-mail: [info@komarindustries.com](mailto:info@komarindustries.com)