



Komar Auger-Pak®

Quality Made
in the USA



Since 1977

Heavy-Duty Industrial Pre-Crushing Compactor

EMD-2020

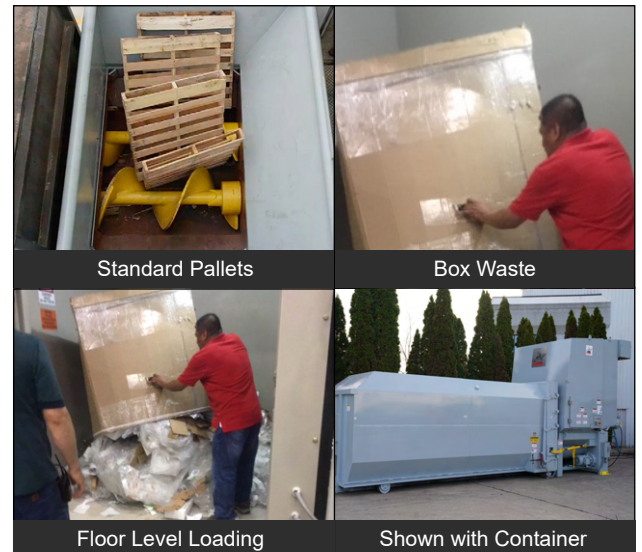


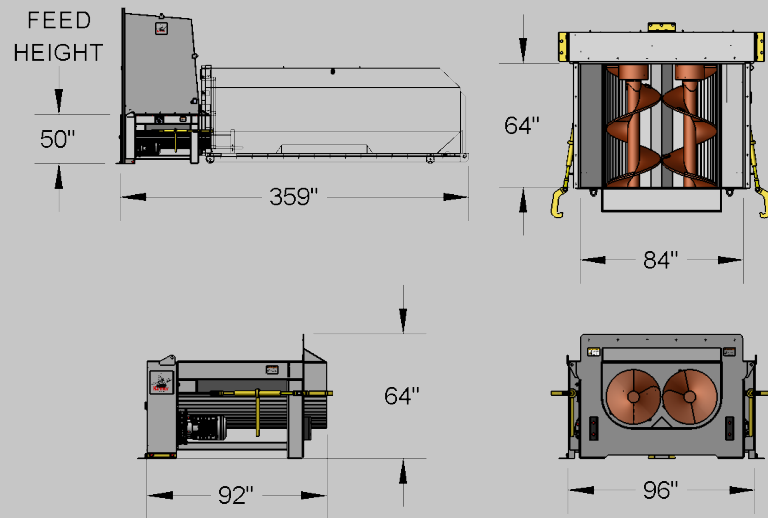
EMD-2020 with Dock Plugin

- Low-profile feed height
- Shreds and compacts in one machine
- Substantially increases outbound weights
- Continuous Forward Processing
- No spring-back or drag-back
- Clean quiet electric drive, no hydraulic leaks
- Connects to standard receiving container

Komar EMD-2020 Dual Auger-Pak®

Komar's EMD-2020 Dual Auger-Pak® is a low-profile, all-electric dual screw auger compactor. This unit is ideal for facilities with a medium volume general waste application, up to forty tons per week, and a desire to feed on floor-level at a dock door. If a facility is replacing a traditional hydraulic ram compactor, the EMD-2020's low feed height is particularly desirable. They gain the auger's greater processing efficiency, heavier payloads, and lower maintenance requirements without altering the feeding method or dock door dimensions. Like the other Auger-Pak® units, the EMD-2020 attaches to a standard 40 cu. yard. receiving container.





Processing Specifications	
Horsepower	Two 20hp drives
Peak Tons per Hour	1.8
Feed Types	Hand, Tilt Truck, Tipper
Receiving Container	40 cu.yrd.
Tons Per Container	4-8 (depending on feed method)
Largest Input Piece Size*	48\" x 60\"

Physical Specifications	
Footprint (L x W x H)	92\" x 96\" x 50\"
Chamber Size (L x W)	64\" x 84\"
Full System Weight (lbs.)	
rpm	9.47
Torque (ft.-lbs.)	11,902
Compaction Force (psi)	

* Material size listed is easily handled by this unit. Larger length materials can be processed but require specific feeding methods.

INSTALLATION TYPES

Plug-in at Dock, Hand-Fed



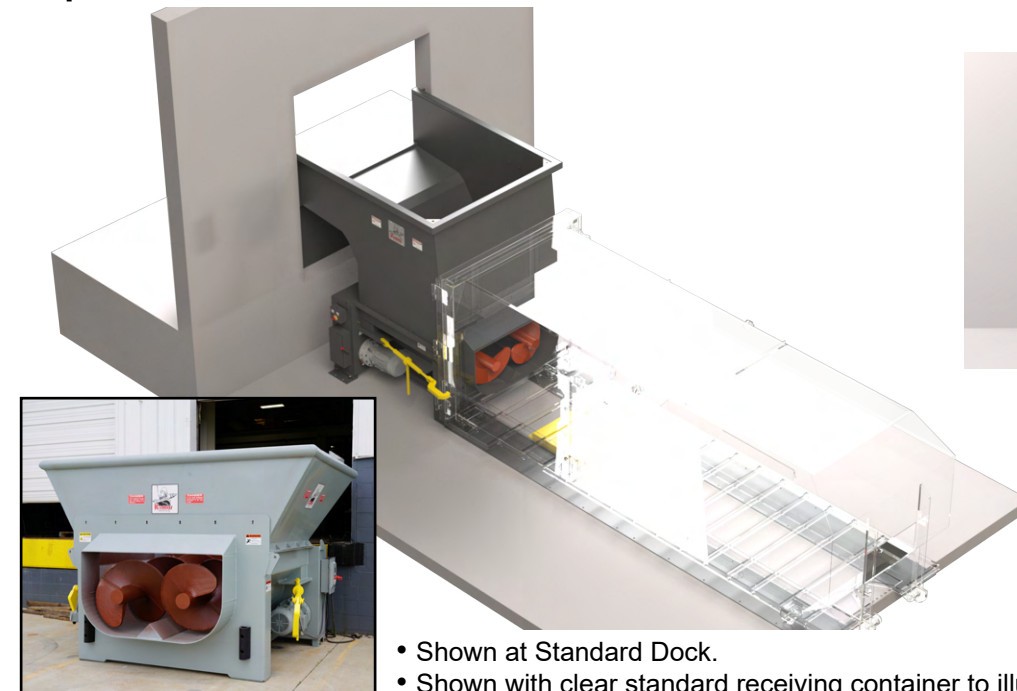
• Shown with clear standard receiving container to illustrate attachment.

Installation Specifications	
Full Length w/ Container	359\"
Footprint w/ Concrete Pad	383\" x 120\"
Power Requirement	480 V, 3 PH, 60 Hz
Overcurrent Protection	125 amp MCP type breaker



Rear View

Open at Dock

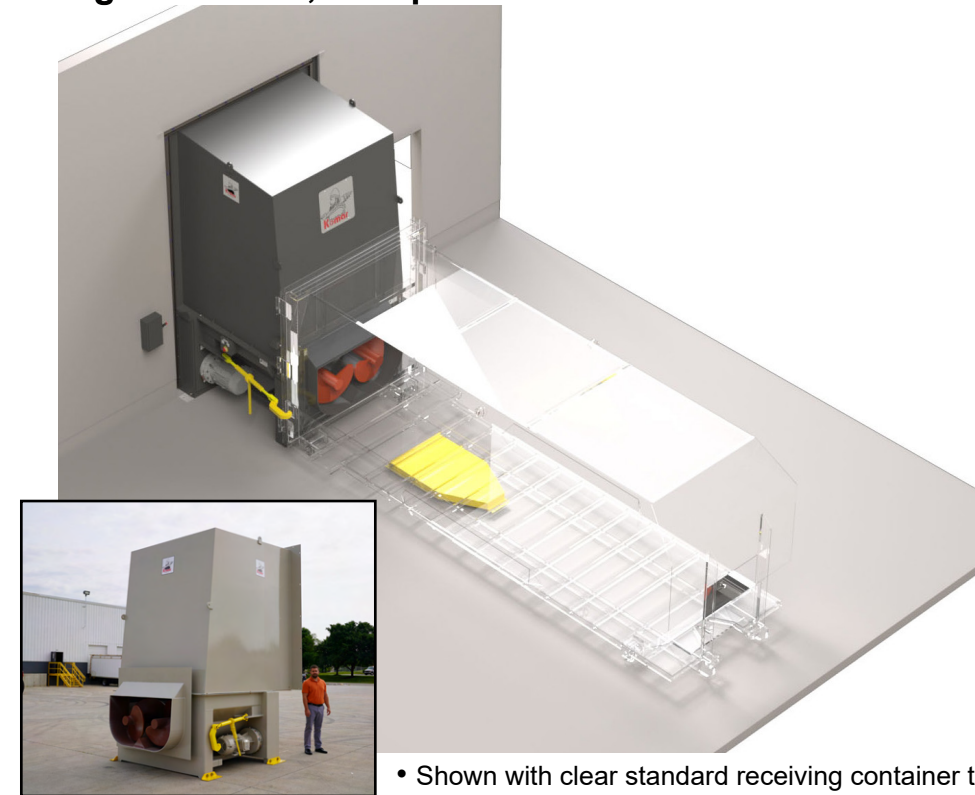


- Shown at Standard Dock.
- Shown with clear standard receiving container to illustrate attachment.



Inside View

Plug-in at Dock, Dumper-Fed



• Shown with clear standard receiving container to illustrate attachment.

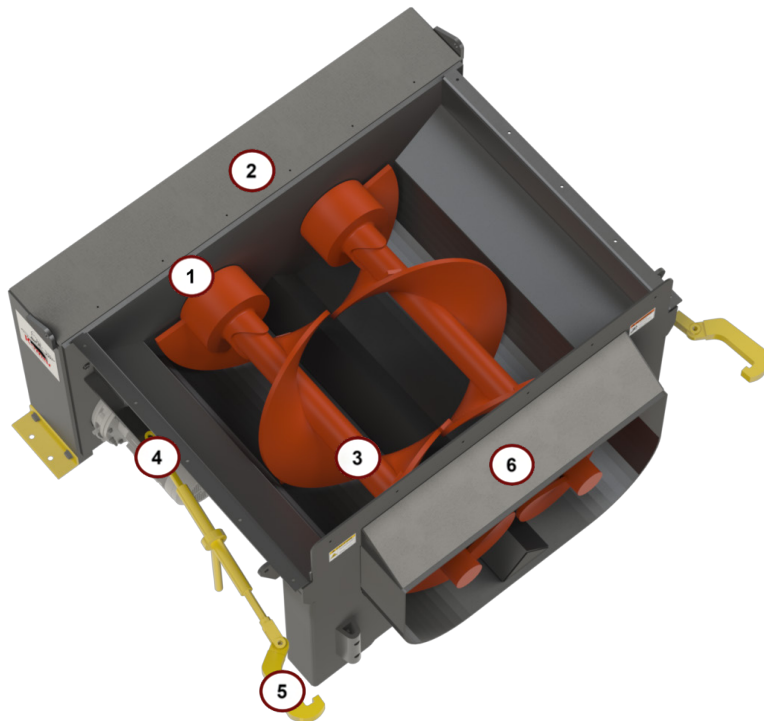


Rear View



Komar Auger-Pak®

EMD-2020 Technology Overview



① Patented Solid Lube Bearing Support System

Allows for the use of the biggest and most powerful auger screws in the industry, resulting in maximum compaction force.

② Worry-Free Chain and Bearing Lubrication System

The engineered, automatically lubricated chain, coupled with the permanently sealed, self-lubricating, and self-cleaning bearing system cuts down on routine maintenance.

③ Single Piece Solid Alloy Steel Shaft

Using the highest quality components to construct our auger screws extends service life. Other manufacturers bolt or weld solid steel end pieces onto a hollow pipe to form their auger shaft. This method is known as multi-piece construction and causes weak points where the pieces connect. Komar utilizes one continuous piece of solid steel.

④ Cycloidal Drive with 500% Shock Load

Don't judge a drive strictly by the motor's horsepower, especially when you plan to process heavy industrial materials. A high shock load rating is important in giving the compactor the ability to crush through large loads without damage to the drive.

⑤ Ratchet Binders ⑥ Container Adaptor

The auger compacts directly into a standard roll-off receiving container typically provided by your local hauler, and meets ANSI and OSHA specifications.